

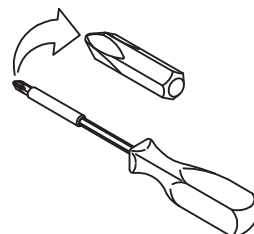
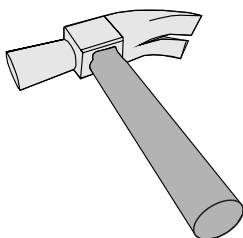
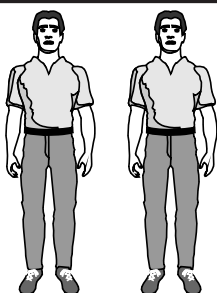
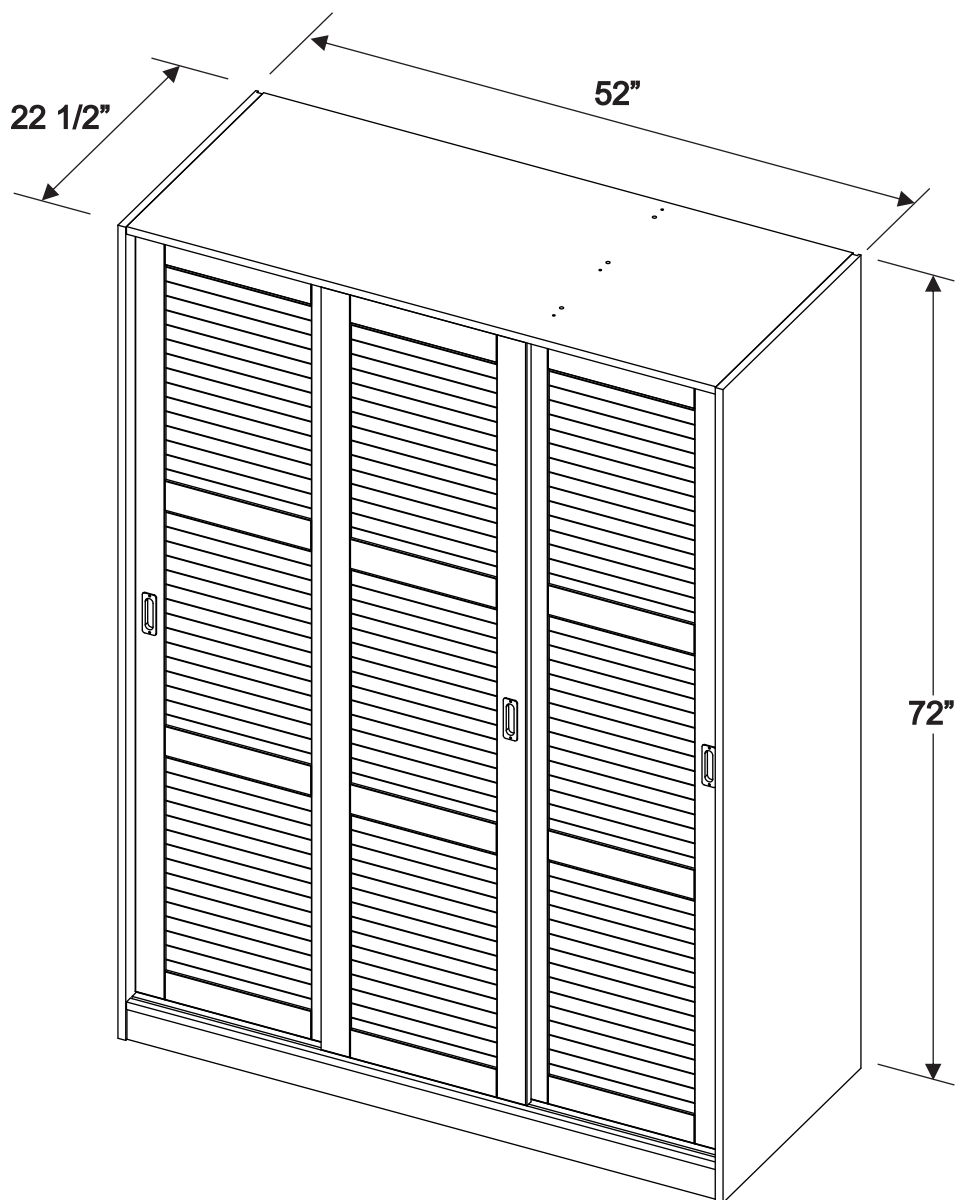
ASSEMBLY INSTRUCTIONS

INSTRUCCIONES DE MONTAJE

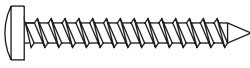
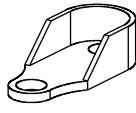


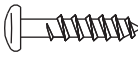



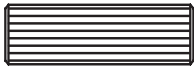
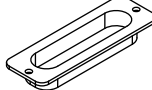
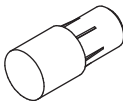
3 SLIDING DOOR WARDROBE

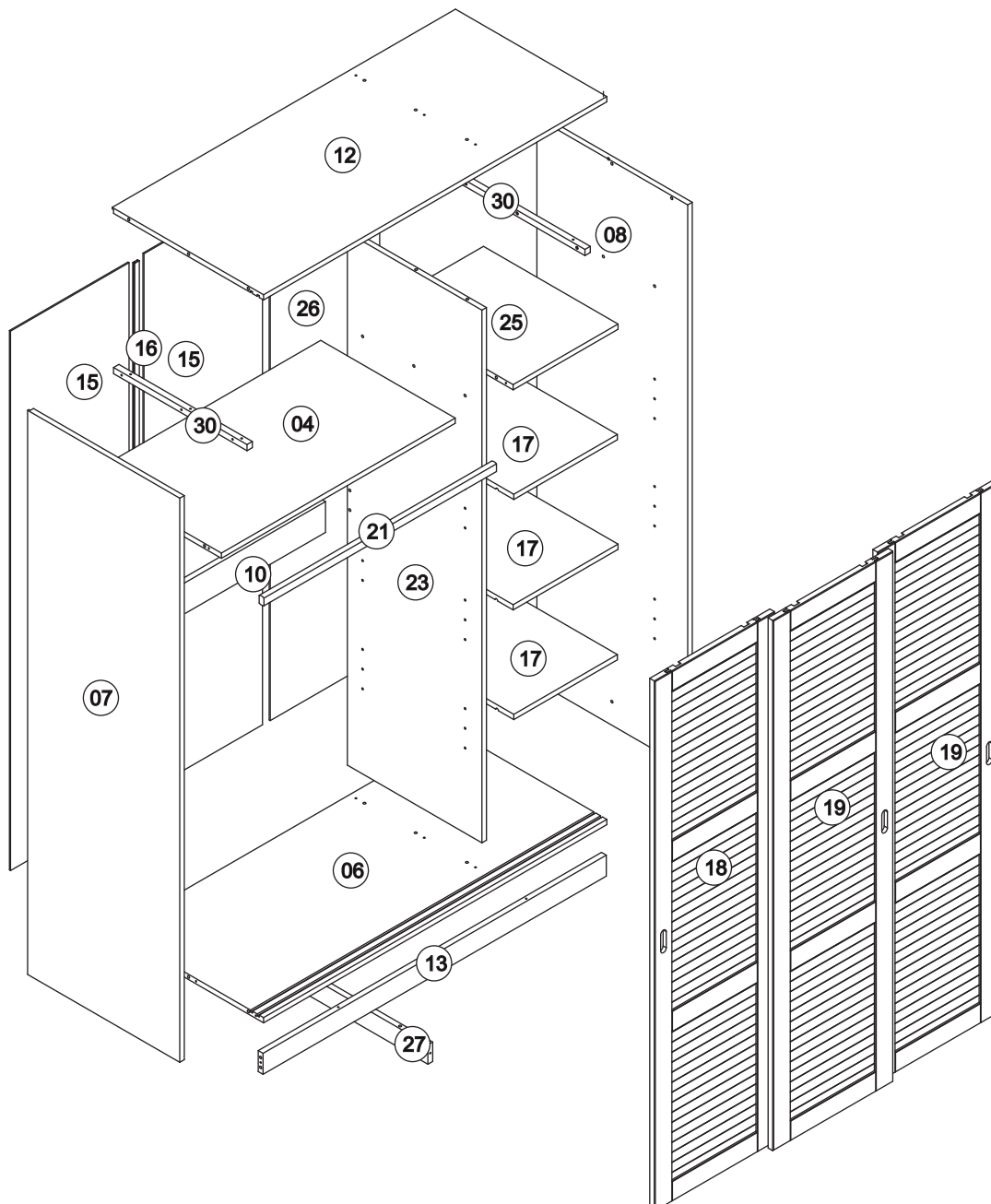
Ref. 5671 - Whitewash

Ref. 5676 - Java

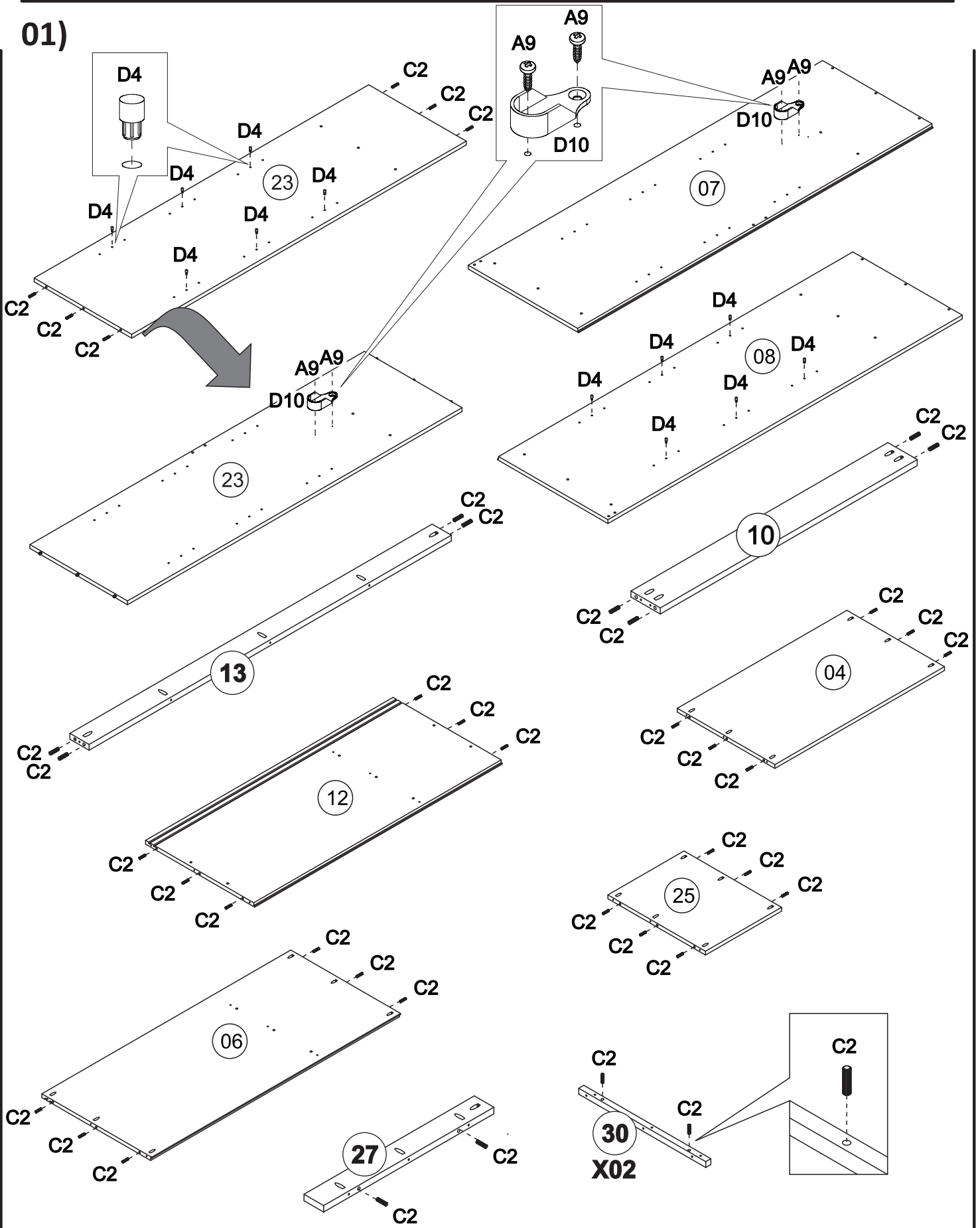


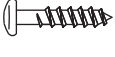



HARDWARE IN ACTUAL SIZE / ACCESORIO ENTAMAÑO REAL

| | | | | | |
|------------|---|-----------|------------|---|-----------|
| A1 |  4,0x30 | 43 | D10 |  | 02 |
| A3 |  3,0x16 | 06 | E6 |  DOOR TOP | 06 |
| A9 |  3,5x16 | 28 | E7 |  DOOR BOTTOM | 06 |
| A16 |  4,0x40 | 06 | G1 |  10x10 | 58 |
| C2 |  8,0x25 | 44 | H2 |  | 03 |
| D4 |  | 12 | | | |

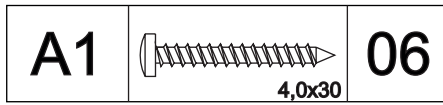
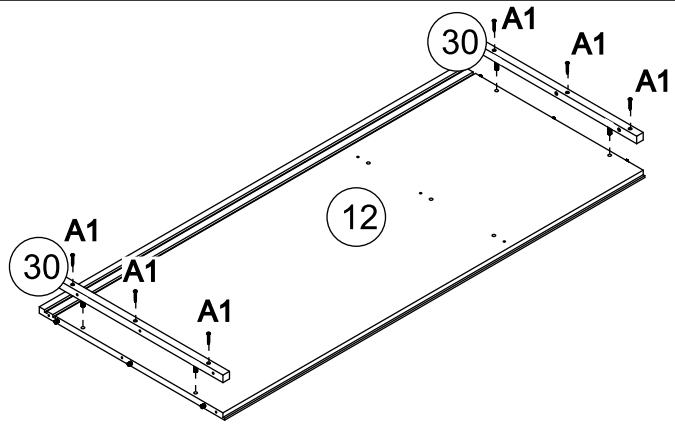


01)

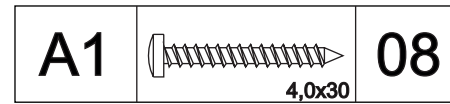
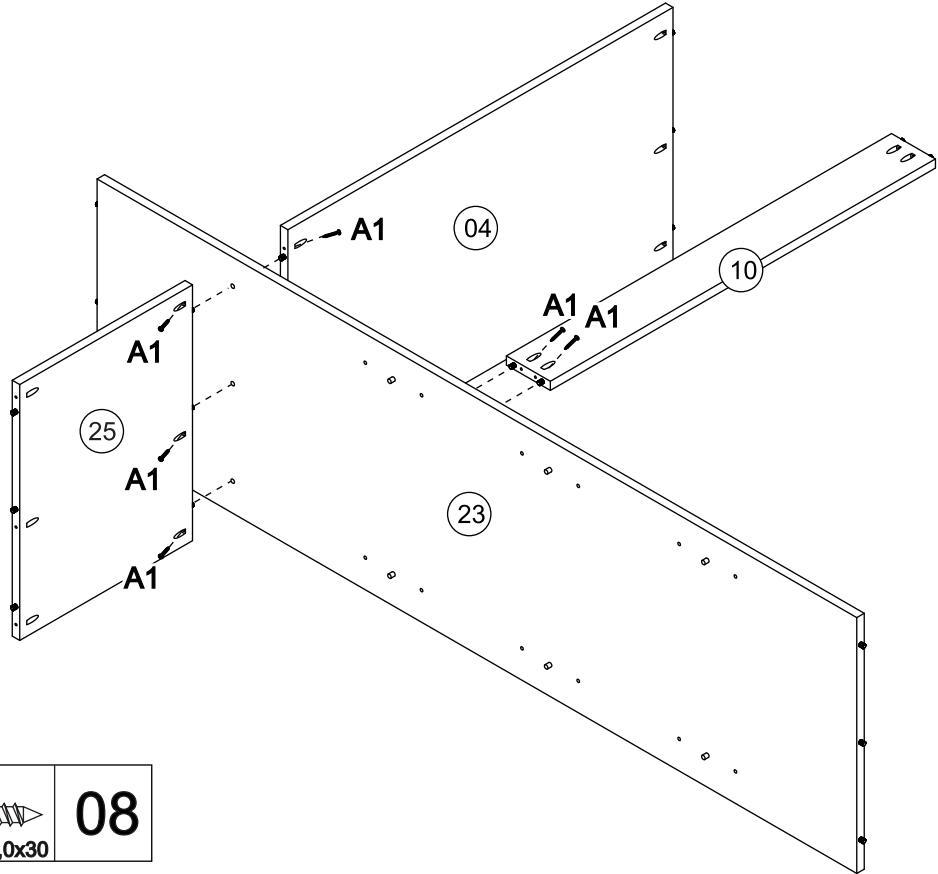


| | | | | | |
|----|---|----|-----|--|----|
| A9 |  3,5x16 | 04 | D4 |  | 12 |
| C2 |  8,0x25 | 44 | D10 |  | 02 |

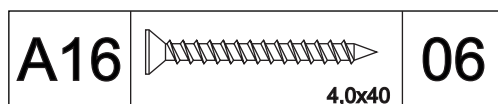
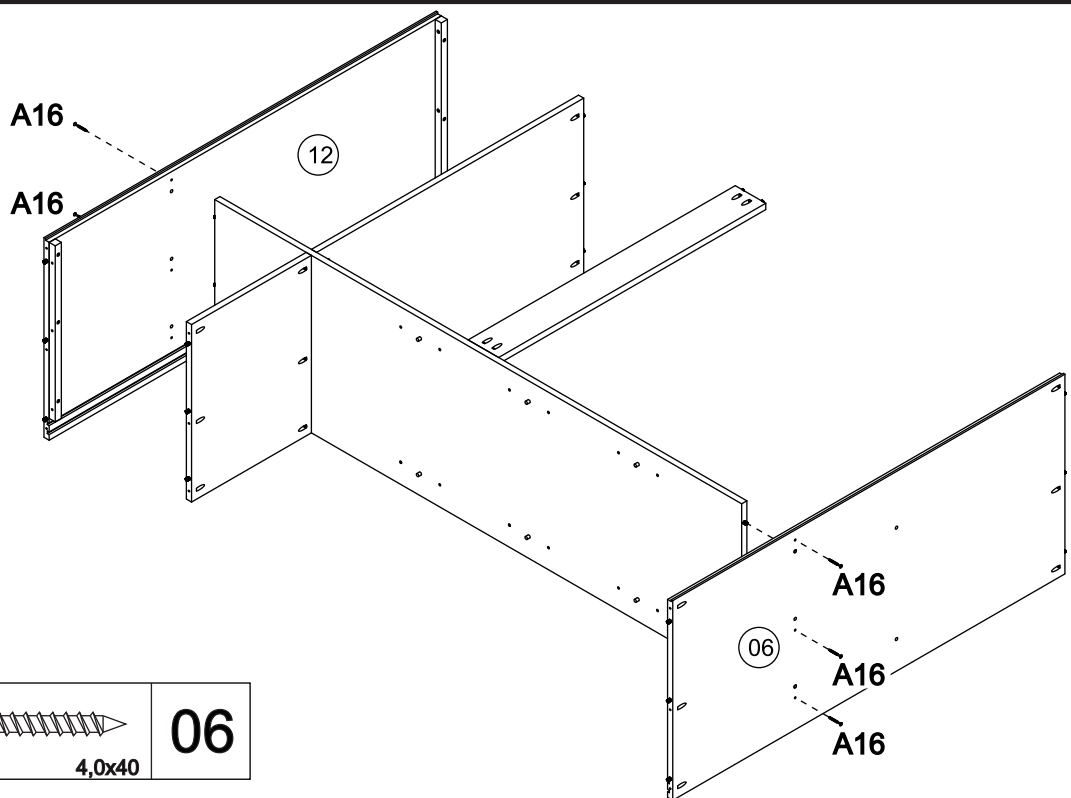
02)



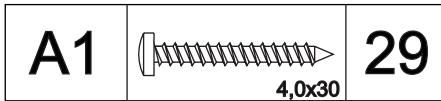
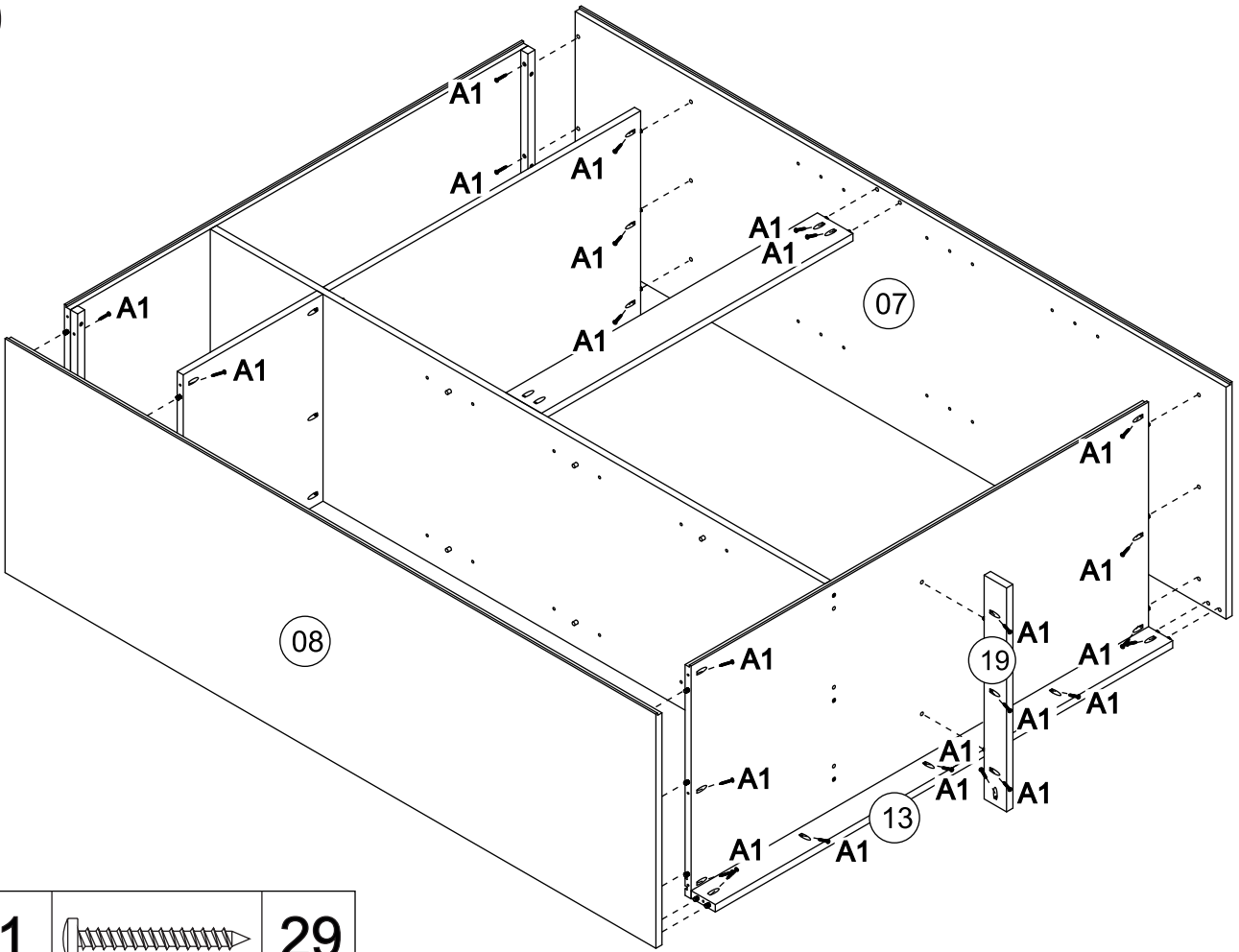
03)



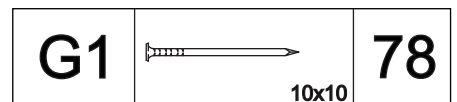
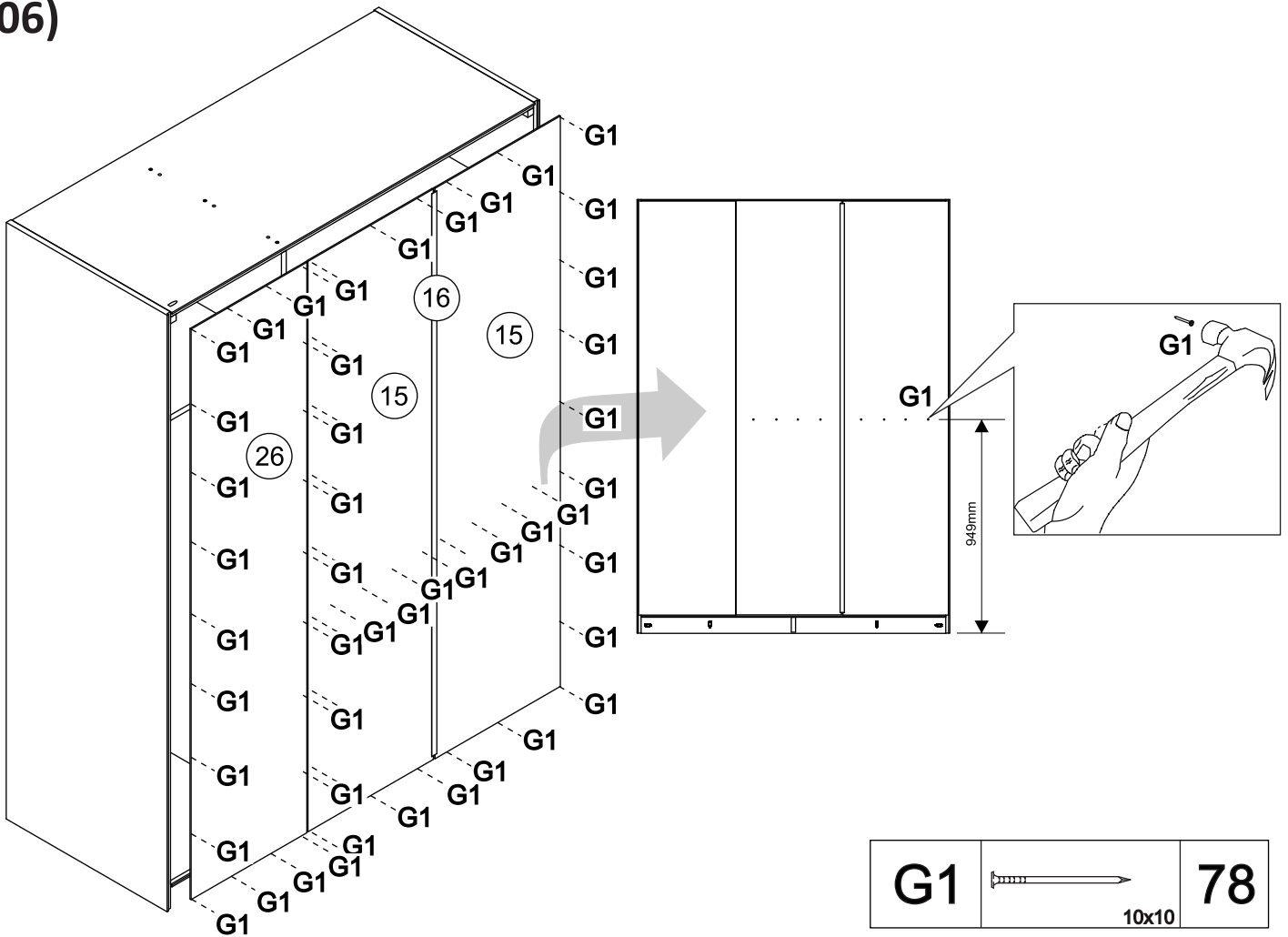
04)



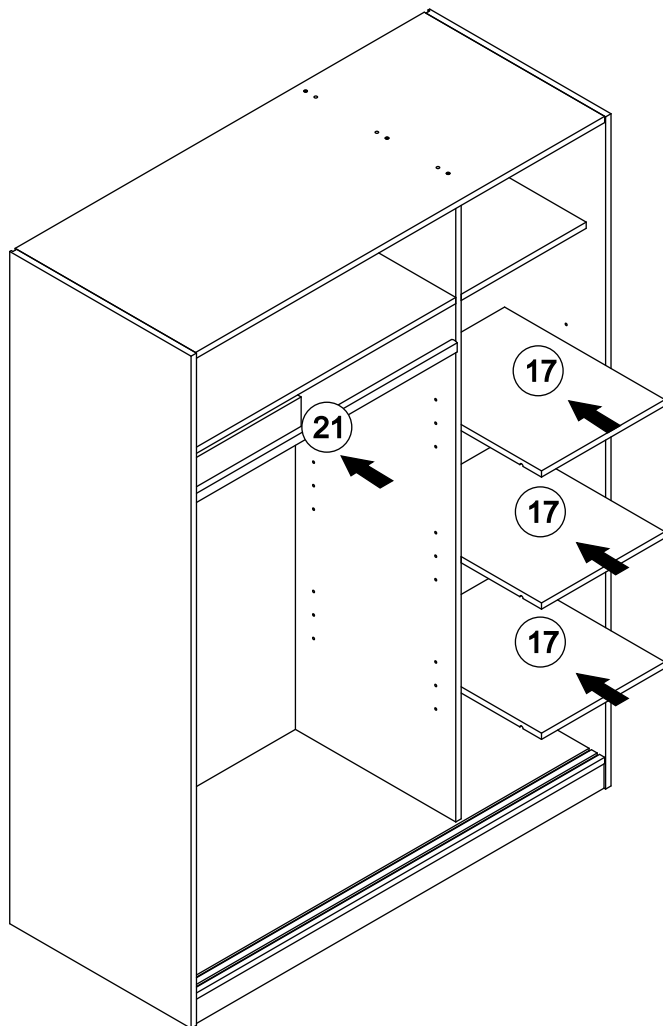
05)



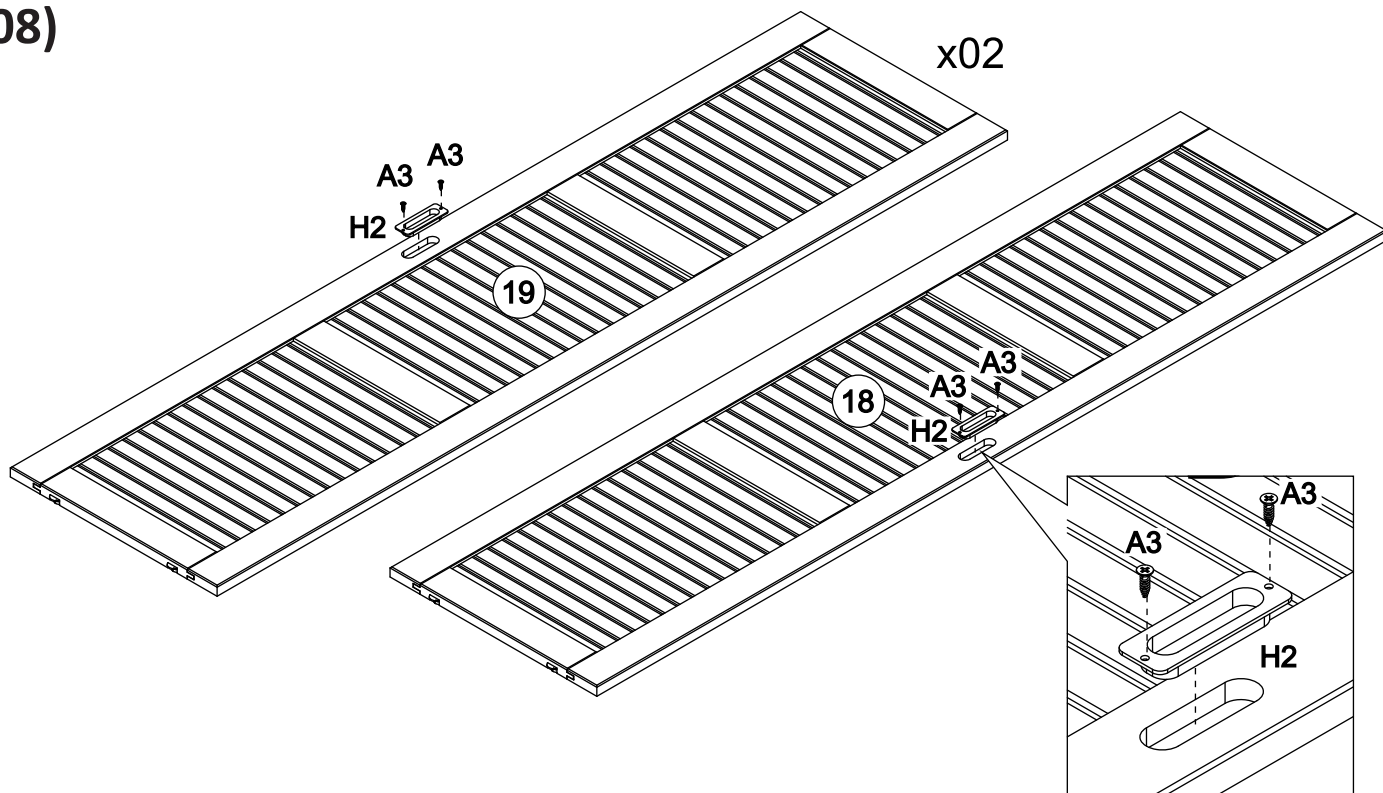
06)


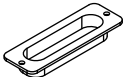


07)



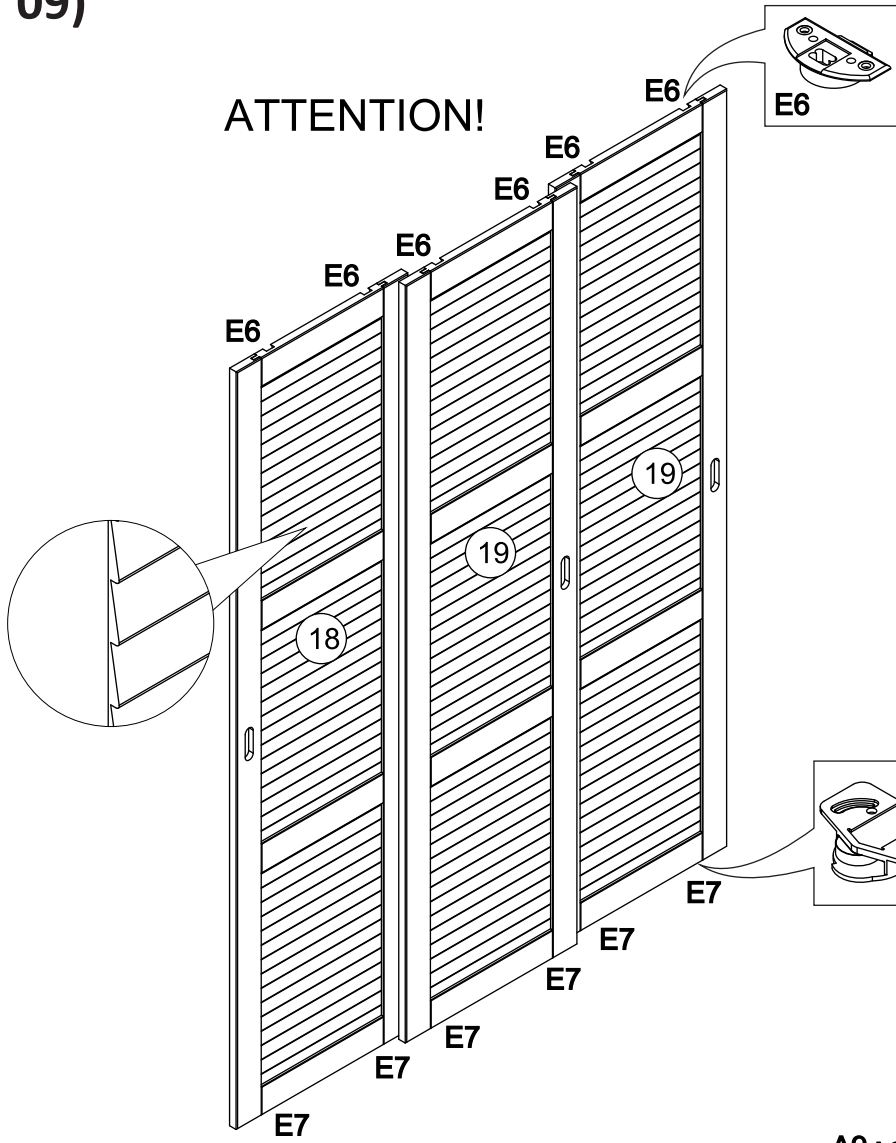
08)

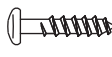




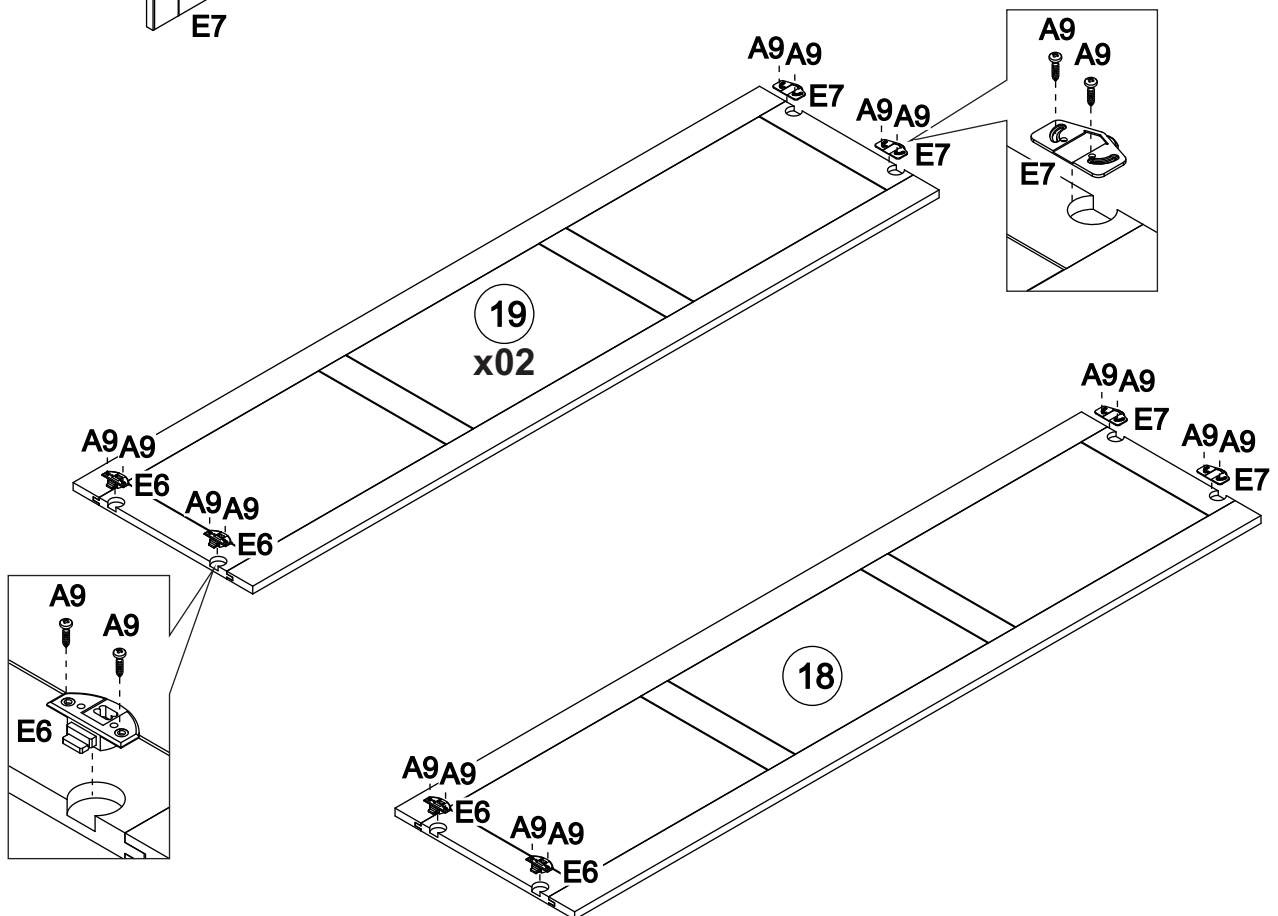
| | | |
|----|---|----|
| A3 |  3,0x16 | 06 |
| H2 |  | 03 |

09)

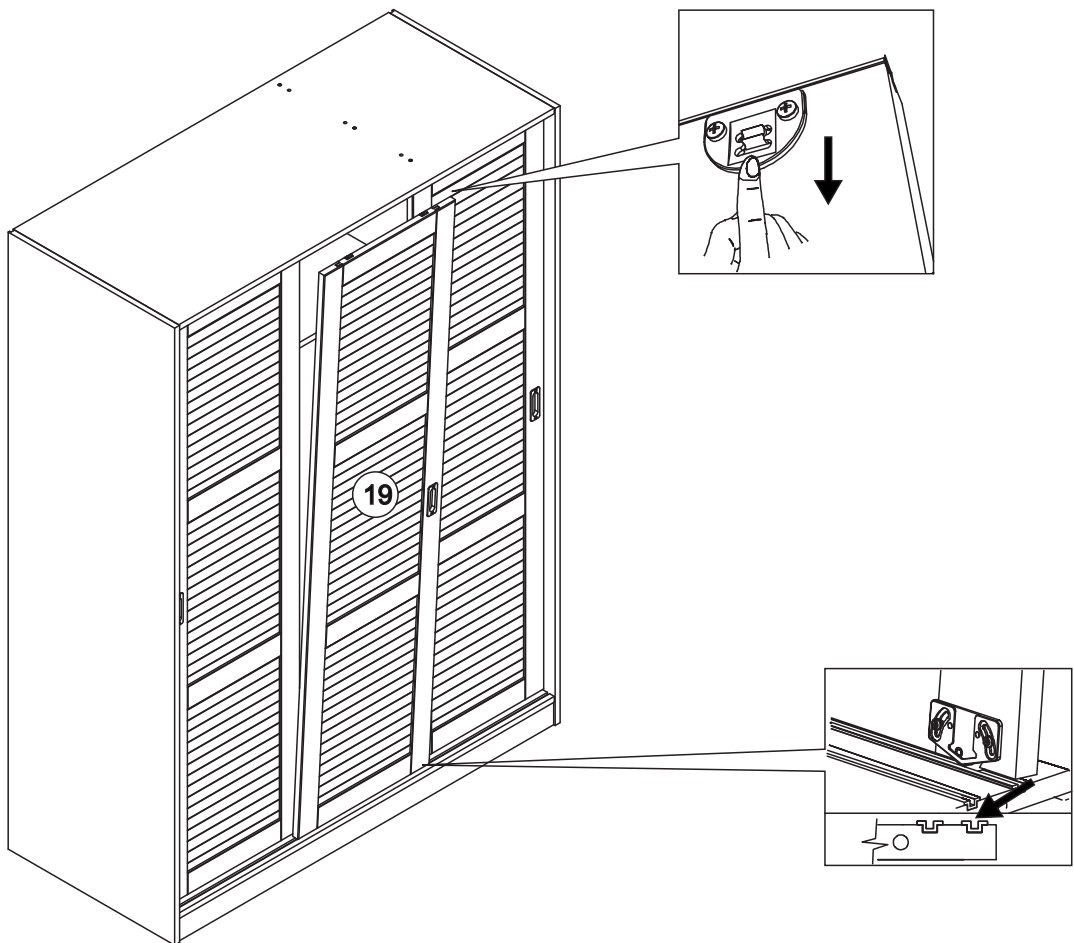
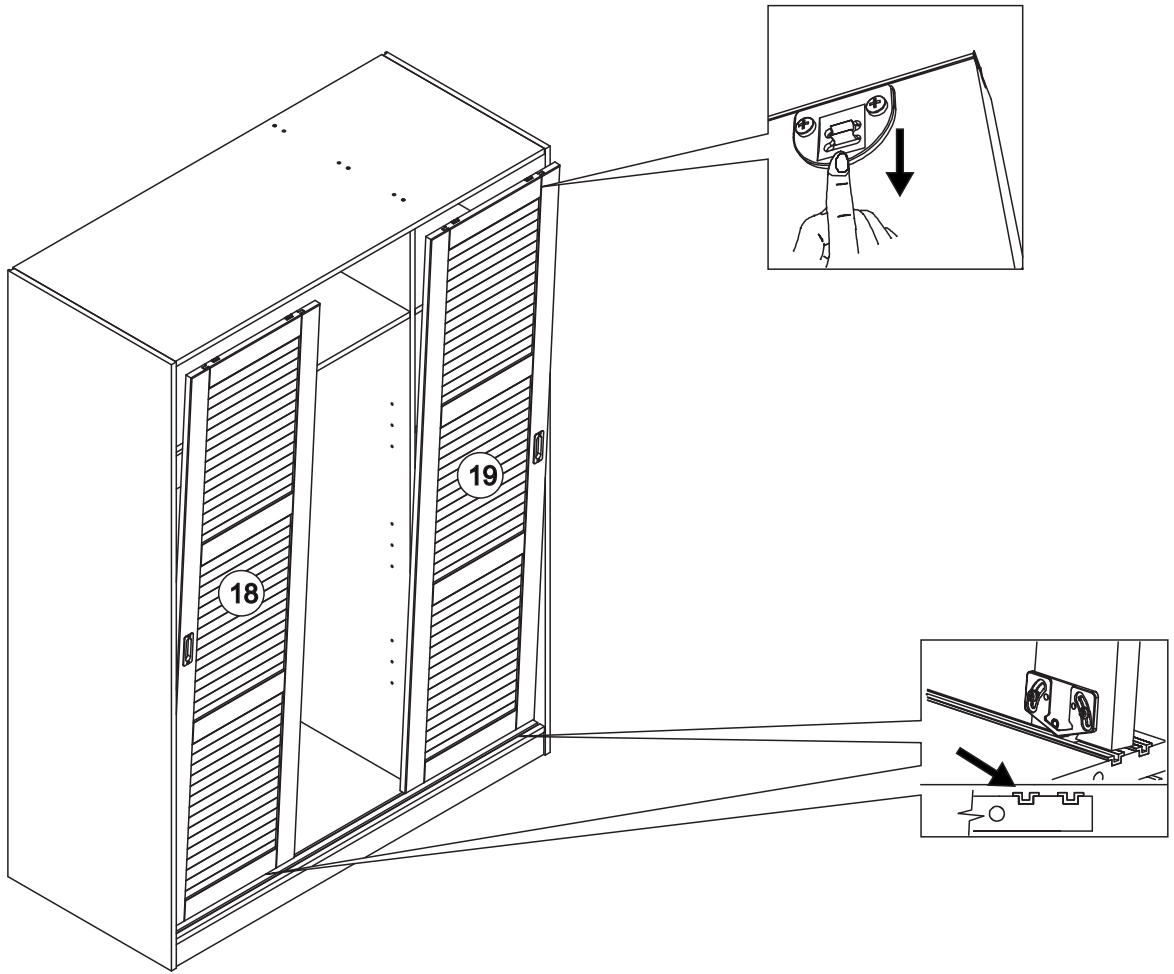
ATTENTION!



| | | |
|----|--|----|
| A9 |  3,5x16 | 24 |
| E6 |  DOOR TOP | 04 |
| E7 |  DOOR BOTTOM | 04 |



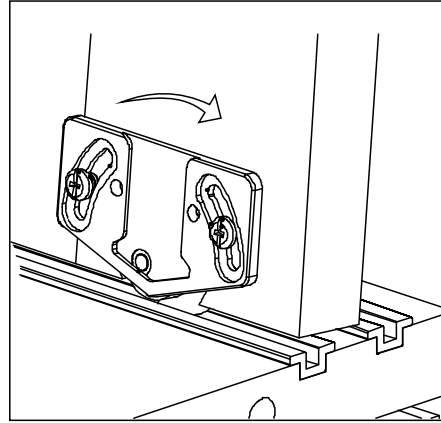
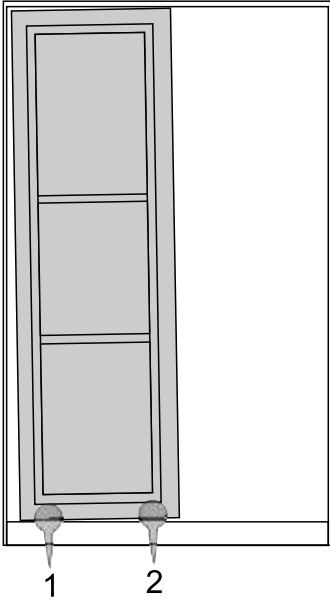
10)



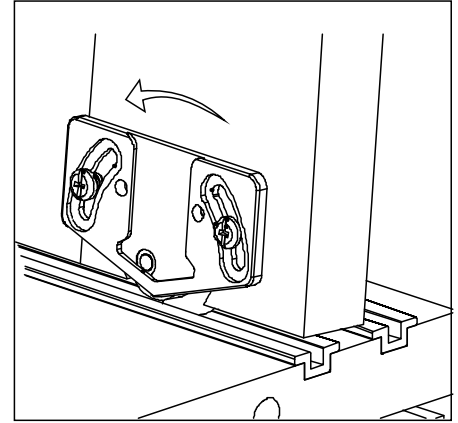
11)

Door Adjustment

If a door is tilted to the left

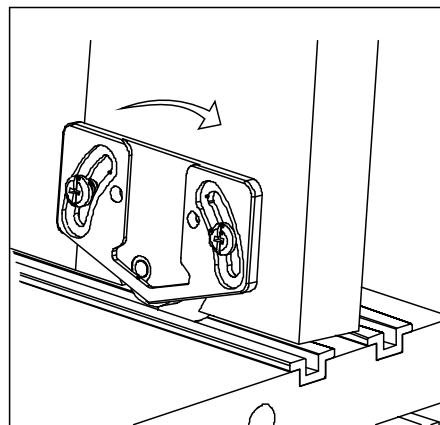
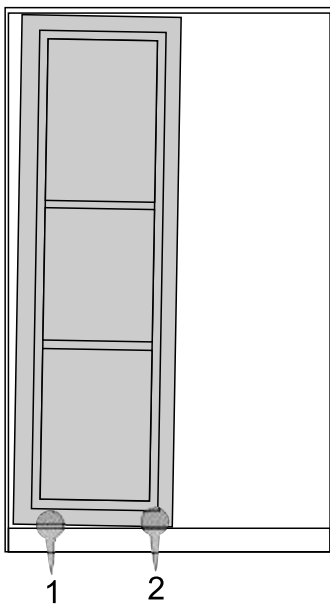


release the screws and
turn slide 1 clockwise

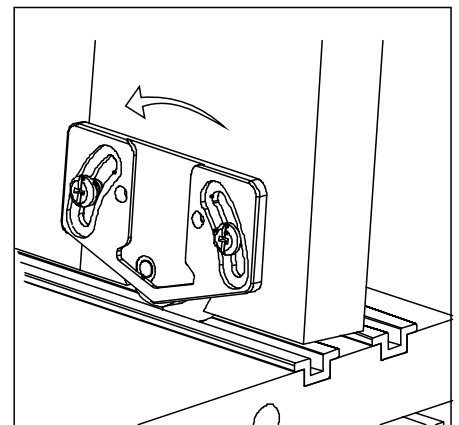


release the screws and
turn slide 2 counterclockwise

If a door is tilted to the right



release the screws and
turn slide 1 counterclockwise



release the screws and
turn slide 2 clockwise